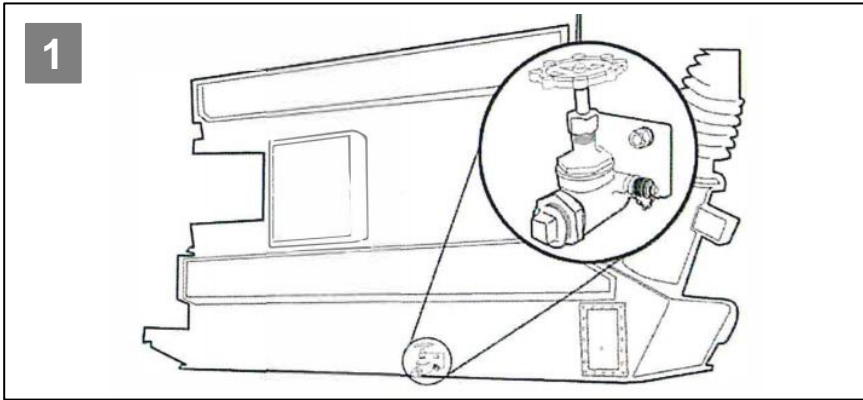


How To Sample Transformer Fluids



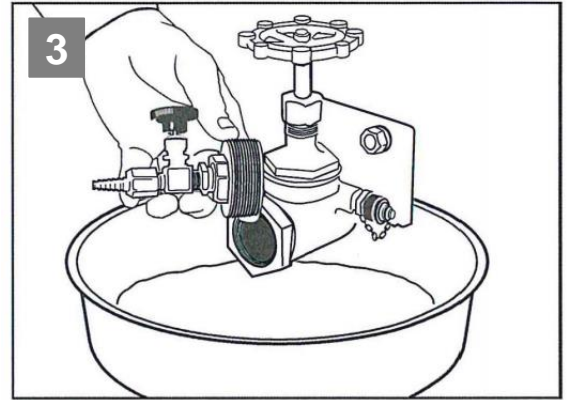
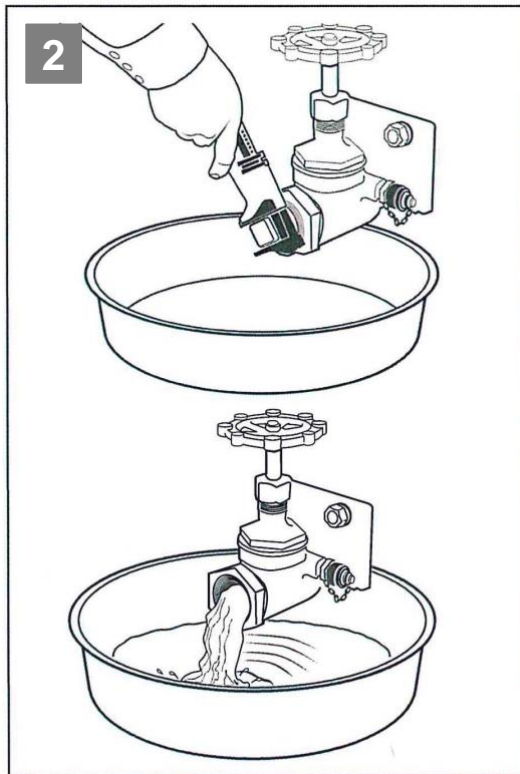
SAMPLING INSTRUCTIONS

Samples should be collected when the relative humidity is below 50%, and there is no rain or snow. Inspect for visual leaks and any unsafe situation in the work area. Adequately protect the area from spillage using such measures as oil absorbent pads and catch pans. Do not sample the unit while under negative pressure.

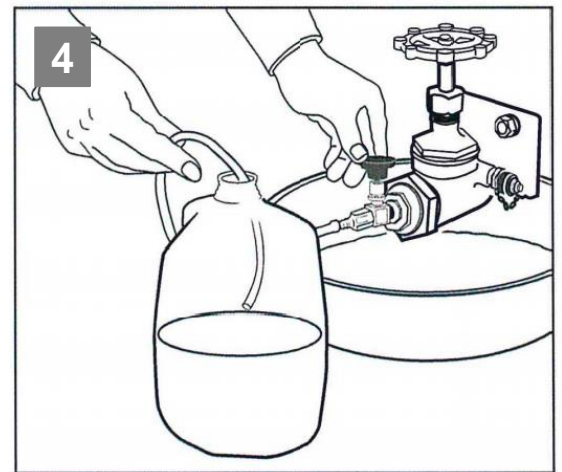


1. Locate sampling valve and place a catch basin underneath it for overflow.

2. Remove plug and rinse valve to remove any debris that may be present. Remove all debris, water and plug sealing materials by wiping the side of the valve and threads with a lint free cloth. Drain 2 to 4 L into the flush-oil container.



3. Install the adapter device from the syringe kit to facilitate taking the sample.



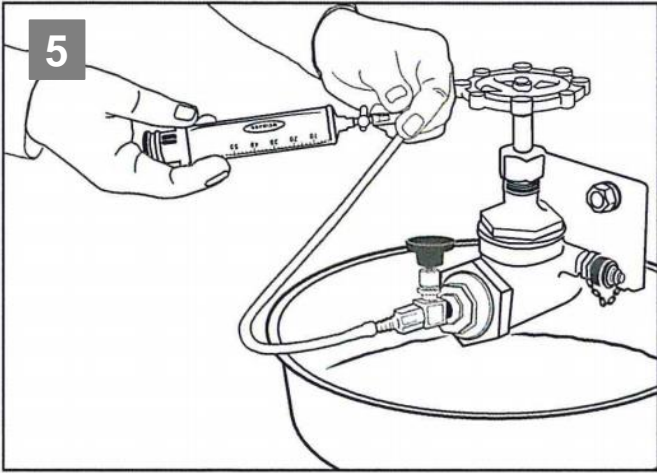
4. Rinse the adapter and drain off fluid until it is clear and free of debris. Flush at least 1 L of fluid into a flush-oil container before collecting the sample.

Contact Info

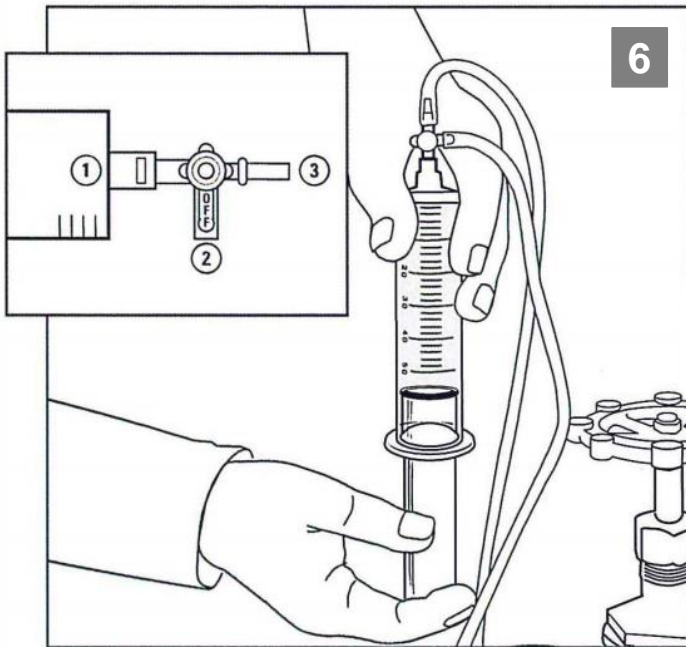
For assistance in USA..... Phone 1-800-237-1369
For assistance in Canada..... Phone 1-800-268-2131

You can also e-mail us at info.sales@wearcheck.com

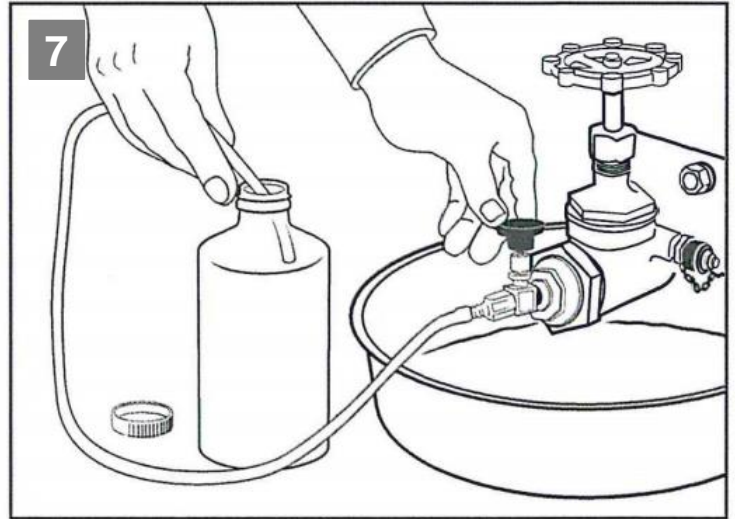
SAMPLING INSTRUCTIONS (CON'T)



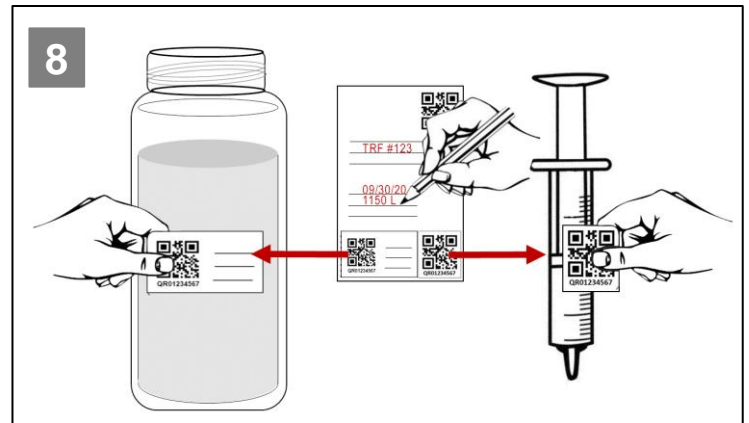
5. Attach a clean syringe from the syringe case using some sample tubing. Another piece of tubing can be connected to side exit from the 3-way stopcock for easy draining .



6. Adjust the drain valve for a gentle flow of liquid through the tubing with the stopcock closed (handle towards position 1 in inset), to permit flushing of the stopcock. Turn the stopcock slowly to the open position (handle pointing towards position 2 in inset). Fill the syringe slightly past the last demarcation. Turn the stopcock so that the handle points directly away from the syringe (handle pointing towards position 3 in diagram). Drain the oil from the syringe making sure to expel any air bubbles present. Turn the stopcock again to the open position and allow the liquid to fill the syringe to the last demarcation. Close the stopcock (handle pointing towards position 1 in inset).



7. Hold the sample container so that the liquid will run down the inside of the container and limiting aeration of the liquid. Partially fill the sample bottle 2 to 3 times, and gently swirl the liquid. Discard the liquid after each rinse. Obtain the sample for evaluation by allowing the liquid to flow down the sides of the container or from the bottom up, filling the bottle to the bottom of the neck threads.



8. Affix the labels from the Sample Information Form (SIF) to properly identify both the syringe (lower right label) and the bottle (lower left label) and complete the required information on the Sample Information Form.

9. Close the drain valve, remove the sample adapter, and return to the syringe case. Install the drain valve pipe plug with a non-hardening thread sealant. Do not reuse any tubing used for sampling and clean the sample adapter before reusing. Dispose of any waste materials in the proper manner. Place the syringe into the syringe case and ensure that the sample bottle is properly packed along with the case.

**WEAR
CHECK**

THE LEADER IN OIL ANALYSIS